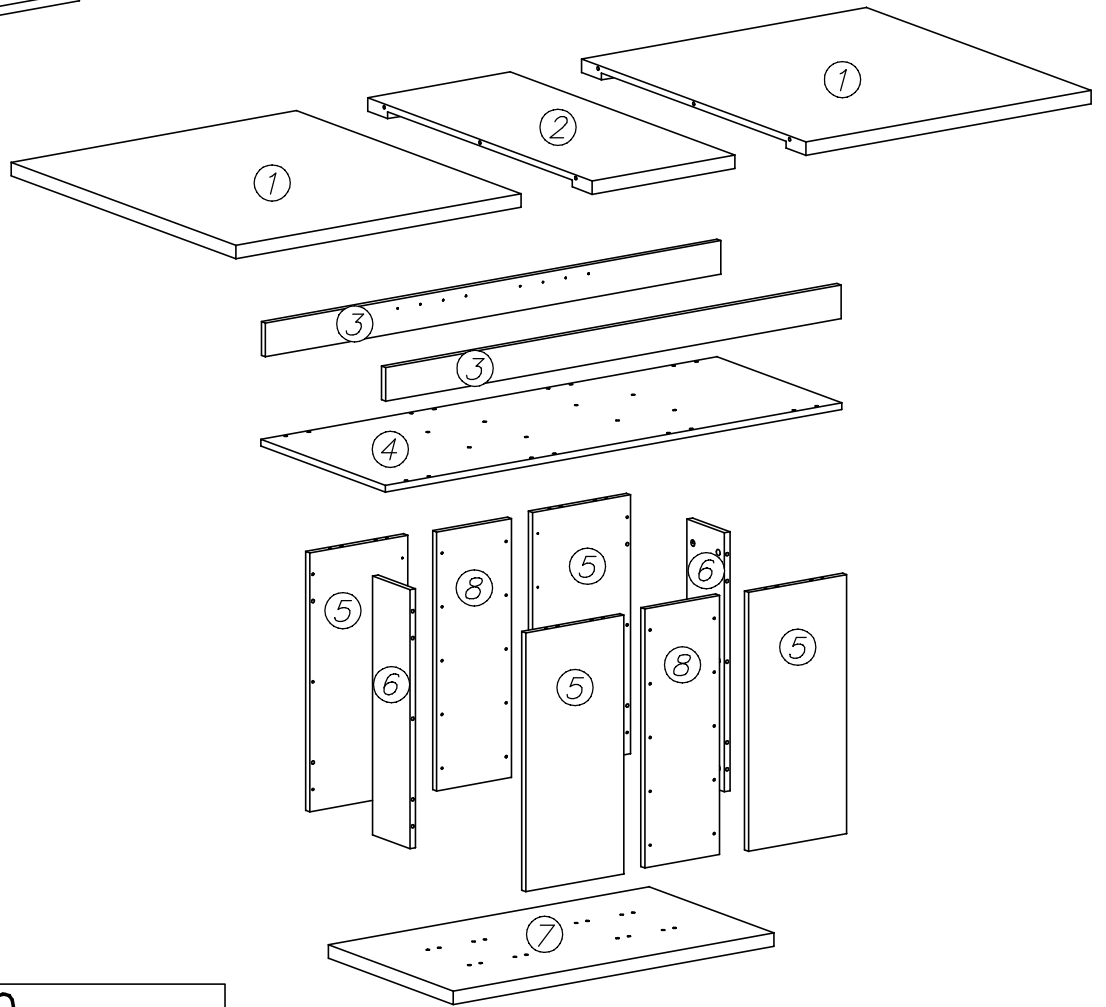
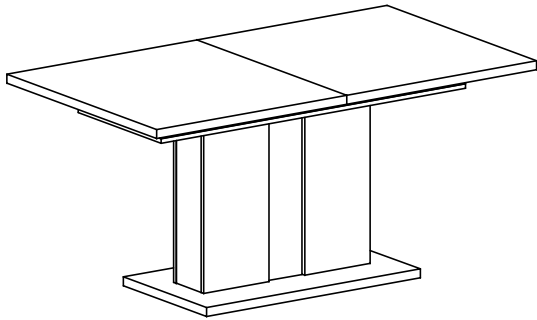


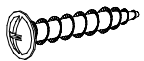
Mondi stół/160



I9
 ø13 8x



G8 20x
 4x30



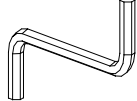
G20 32x
 5x13



A1 24x
 ø7x50



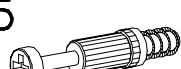
W2 1x



B1 32x
 ø8x30



K5 12x



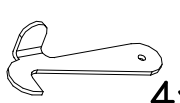
P4 6x



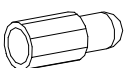
G23 8x
 4x13



M15 4x



B5 6x



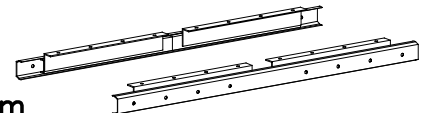
B6 6x



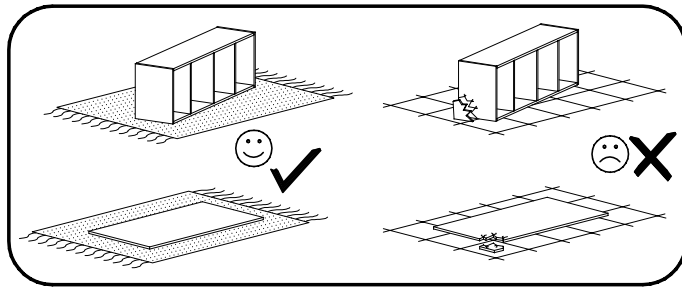
K1 12x
 ø15x12




H55 1x
 600mm

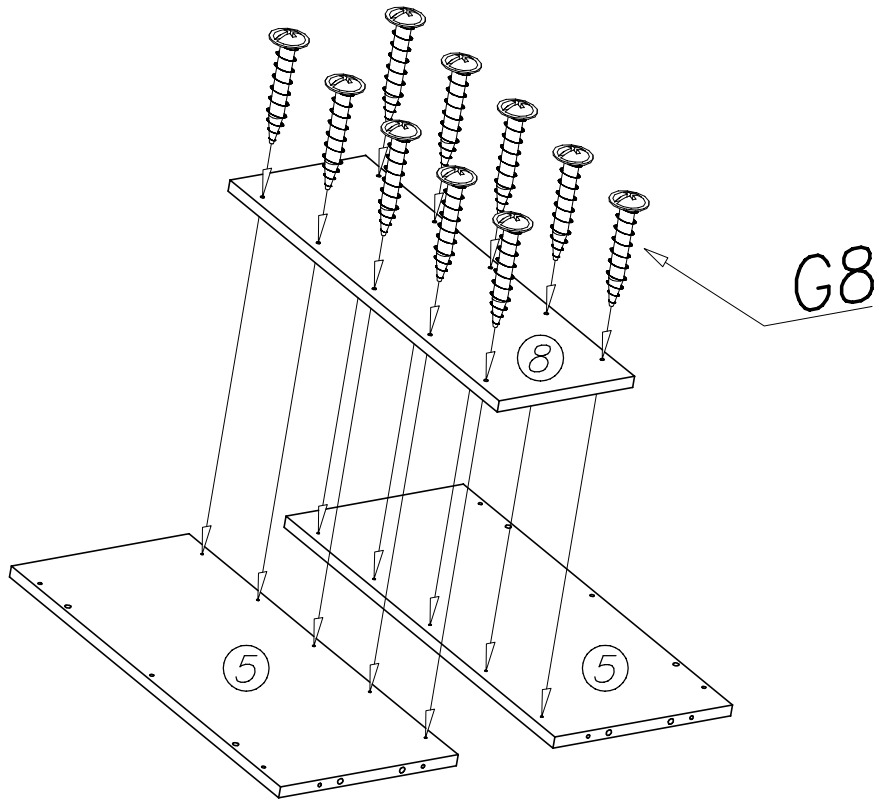


1



G8 
4x30 20x

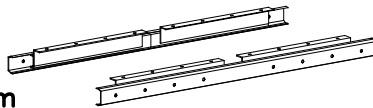
2x



2

H55

600mm



1x

G20

5x13



16x

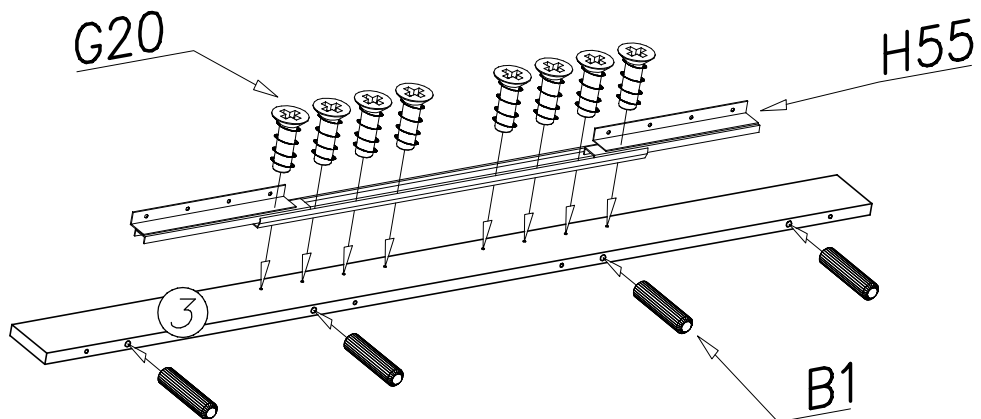
B1

ø8x30

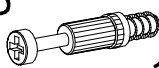




8x

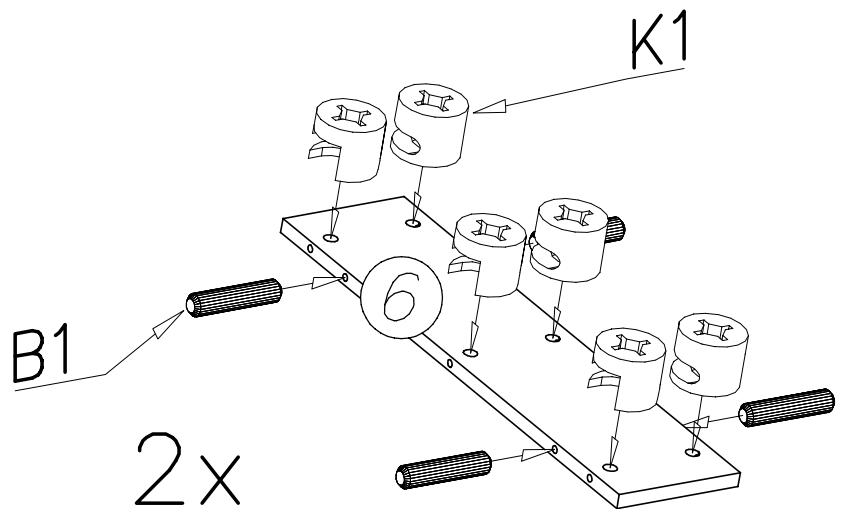
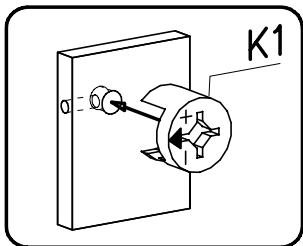
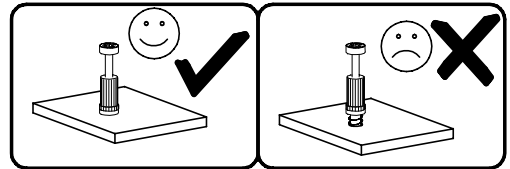
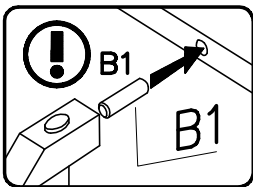
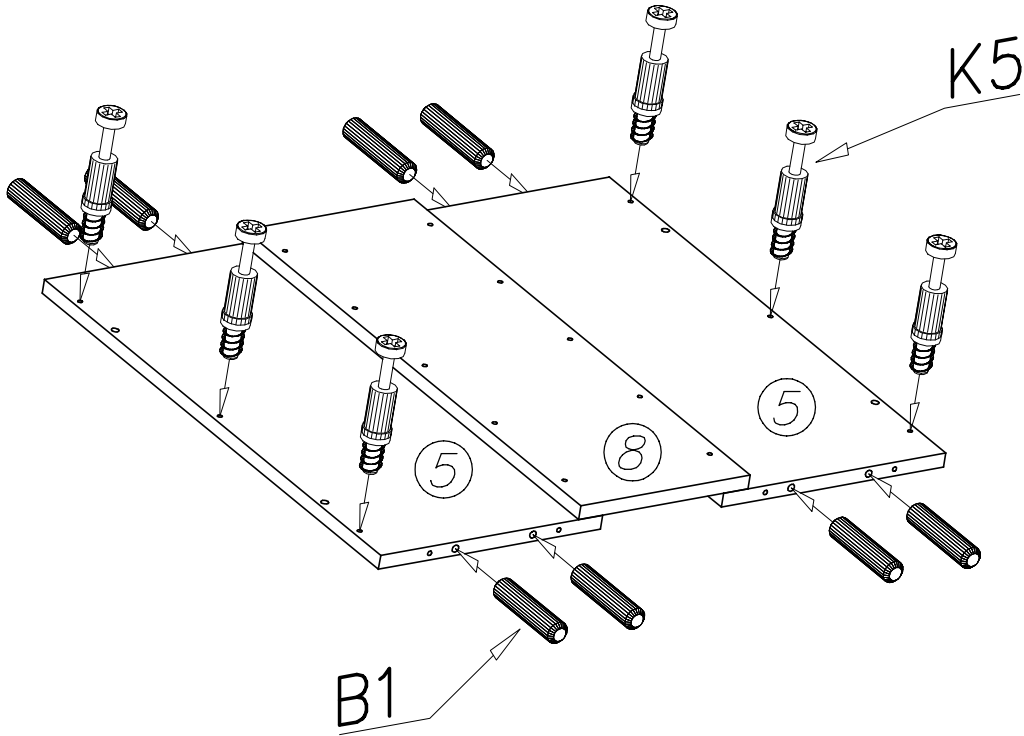
2x



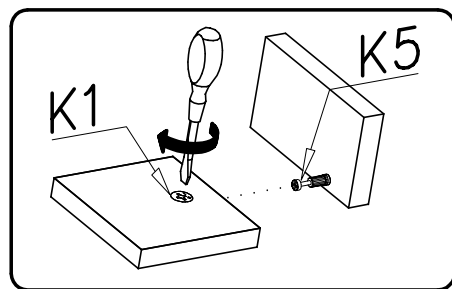
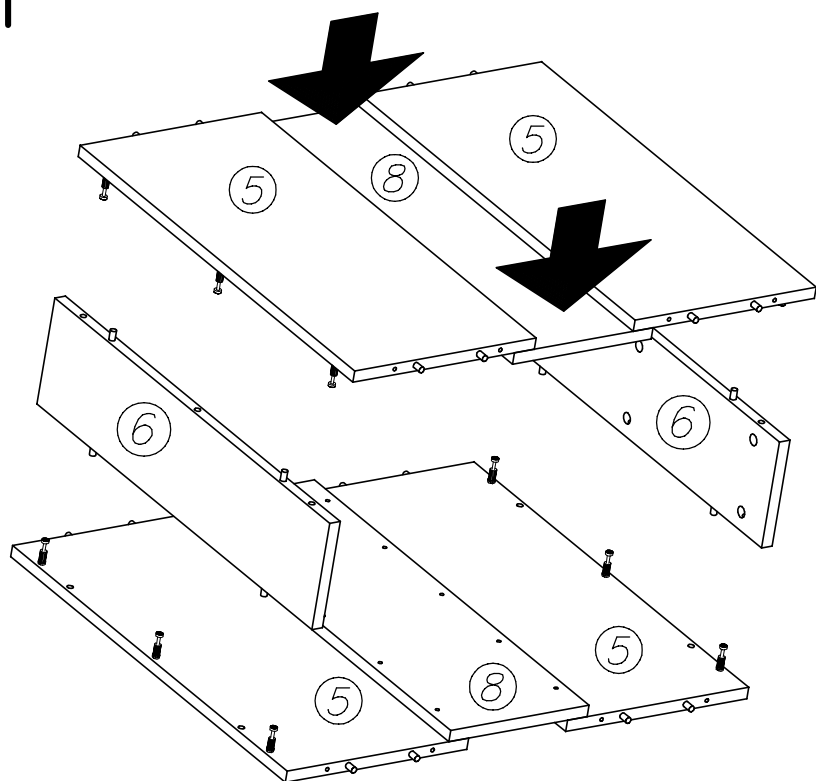
3

K5		12x	K1		12x
			B1		24x
				Ø15x12	
				Ø8x30	

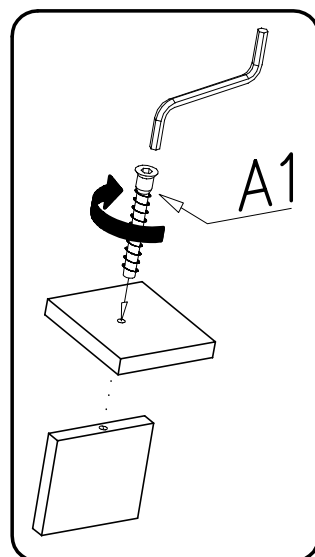
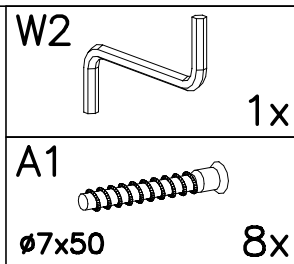
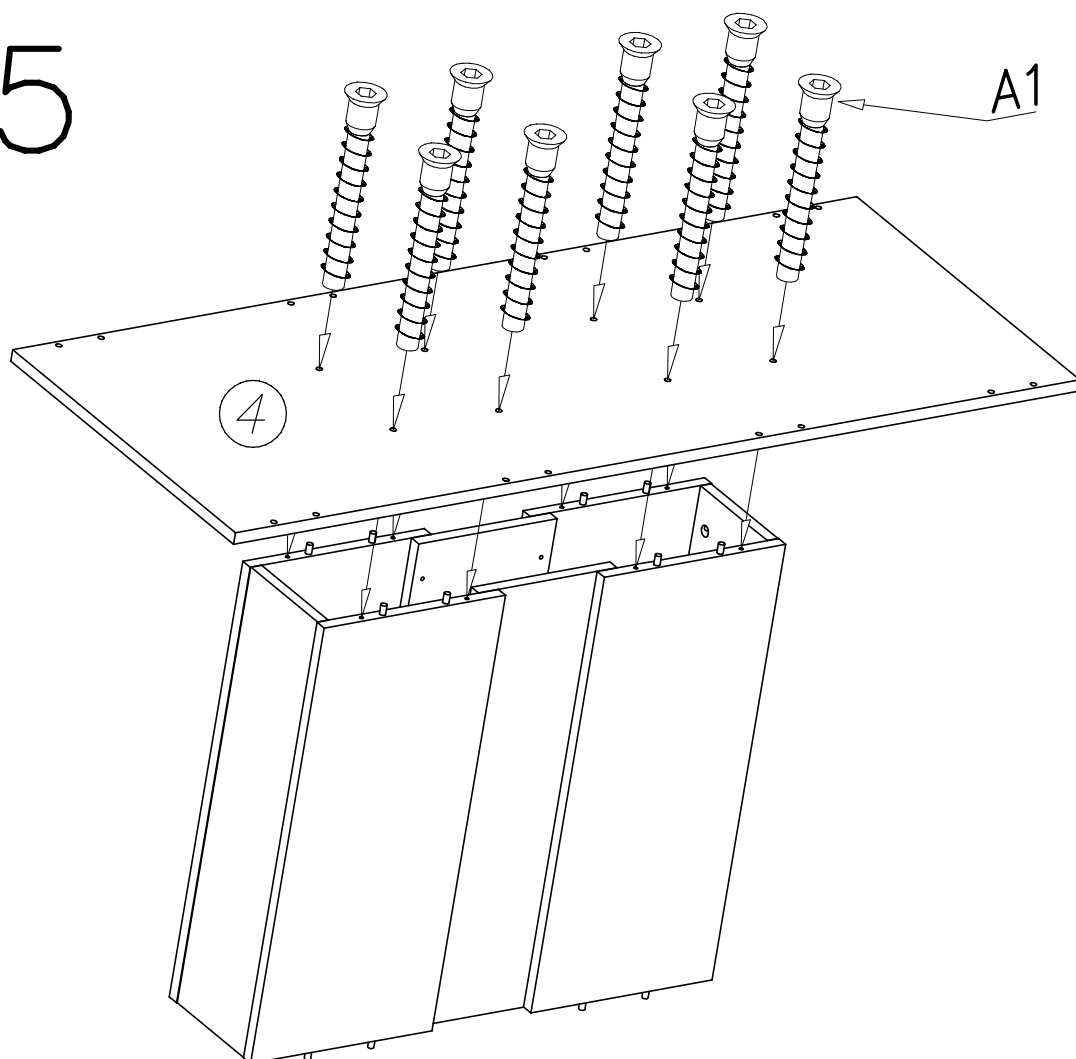
2x



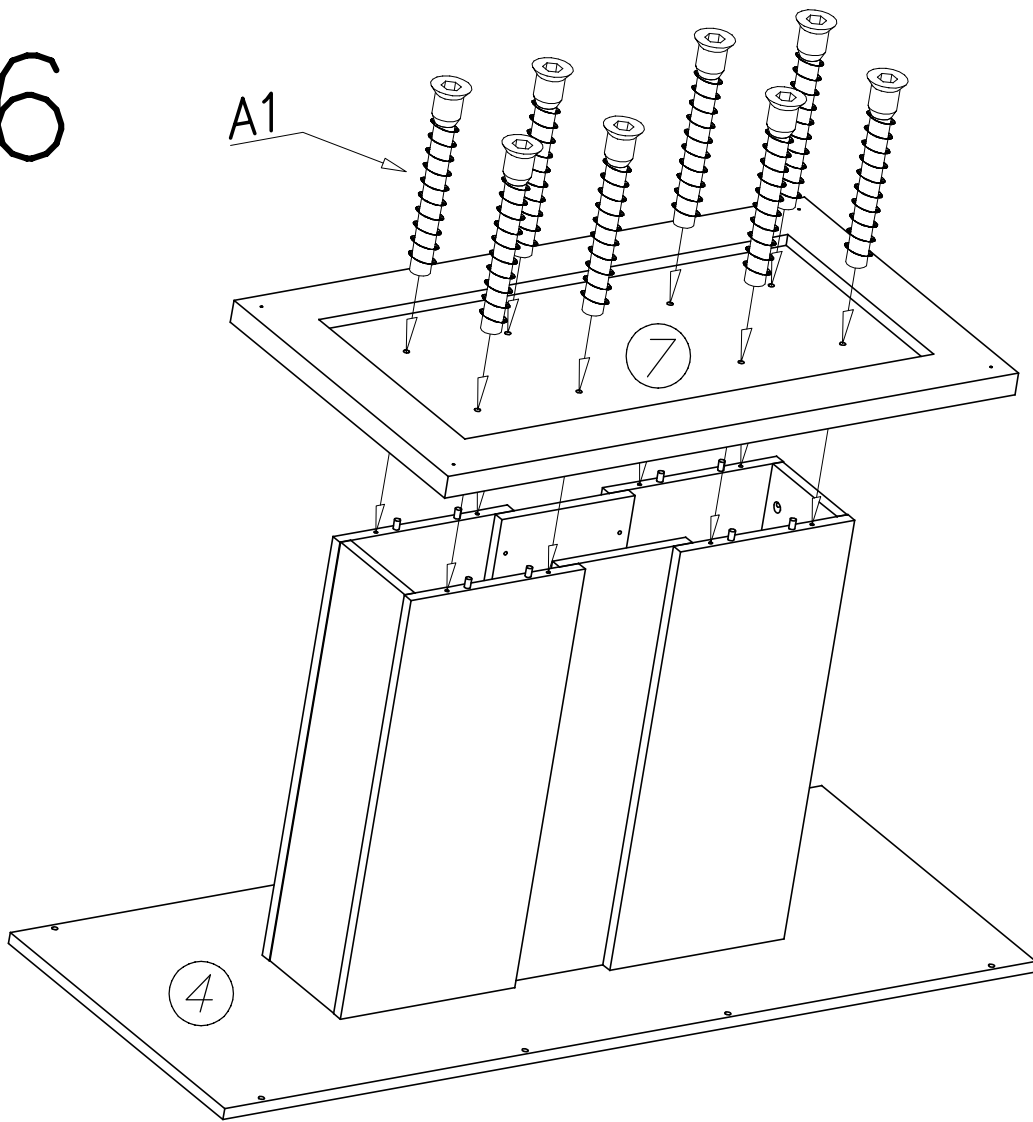
4



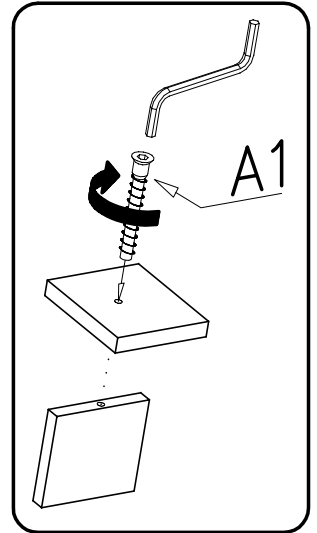
5



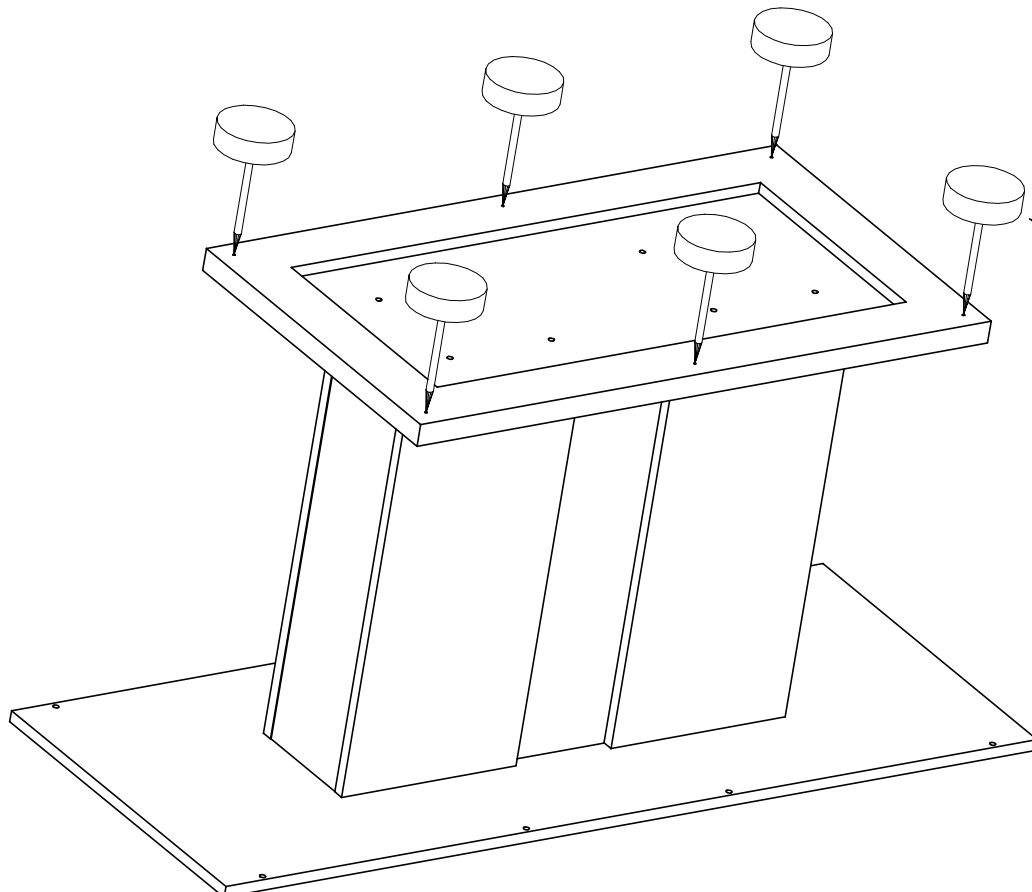
6



W2		1x
A1		8x
$\phi 7 \times 50$		



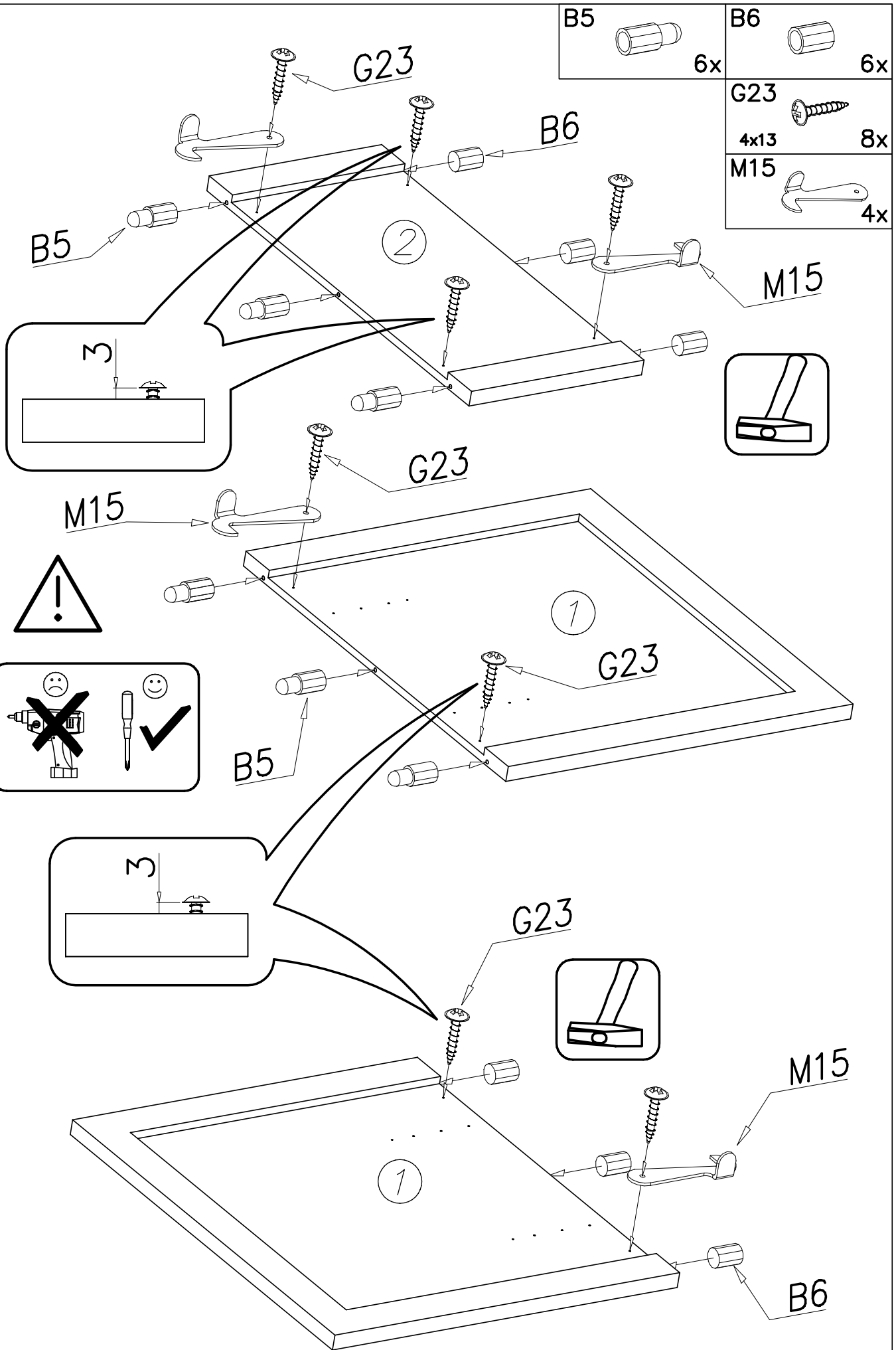
7




P4		6x
----	--	----

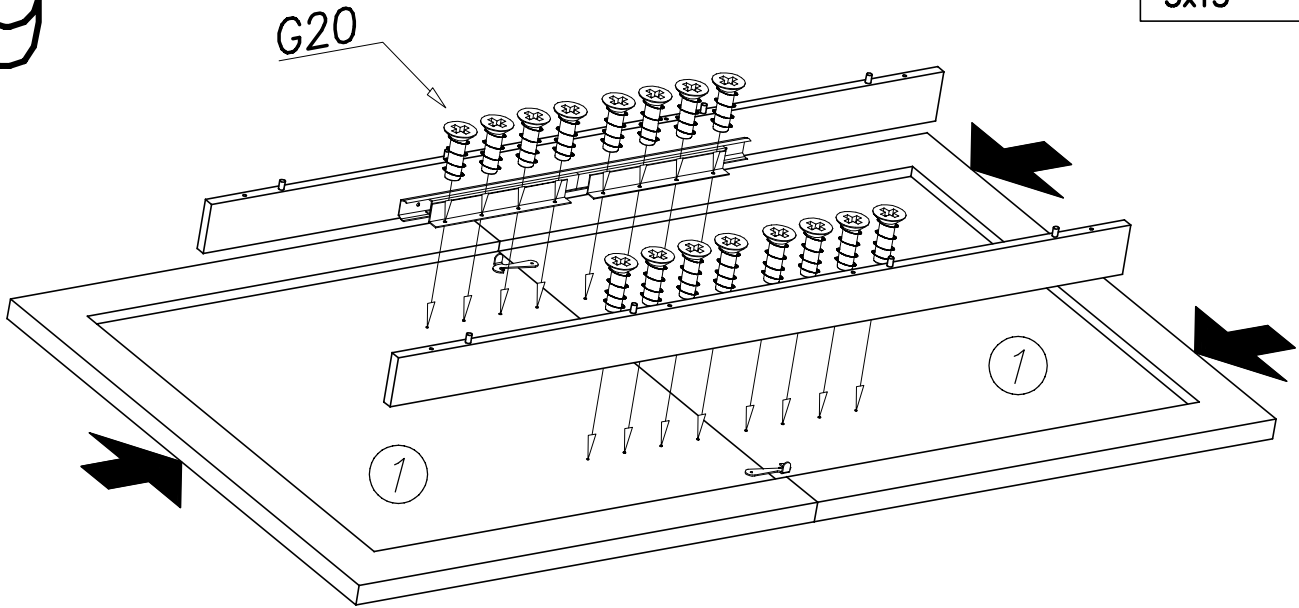


8



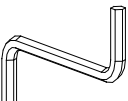


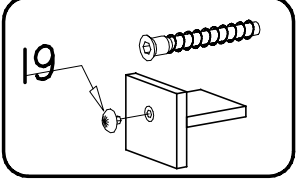
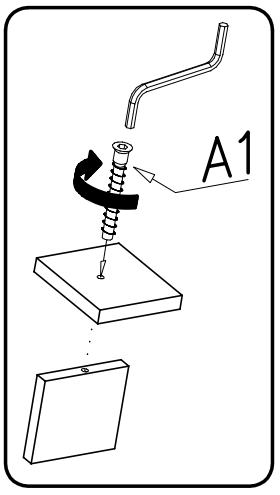
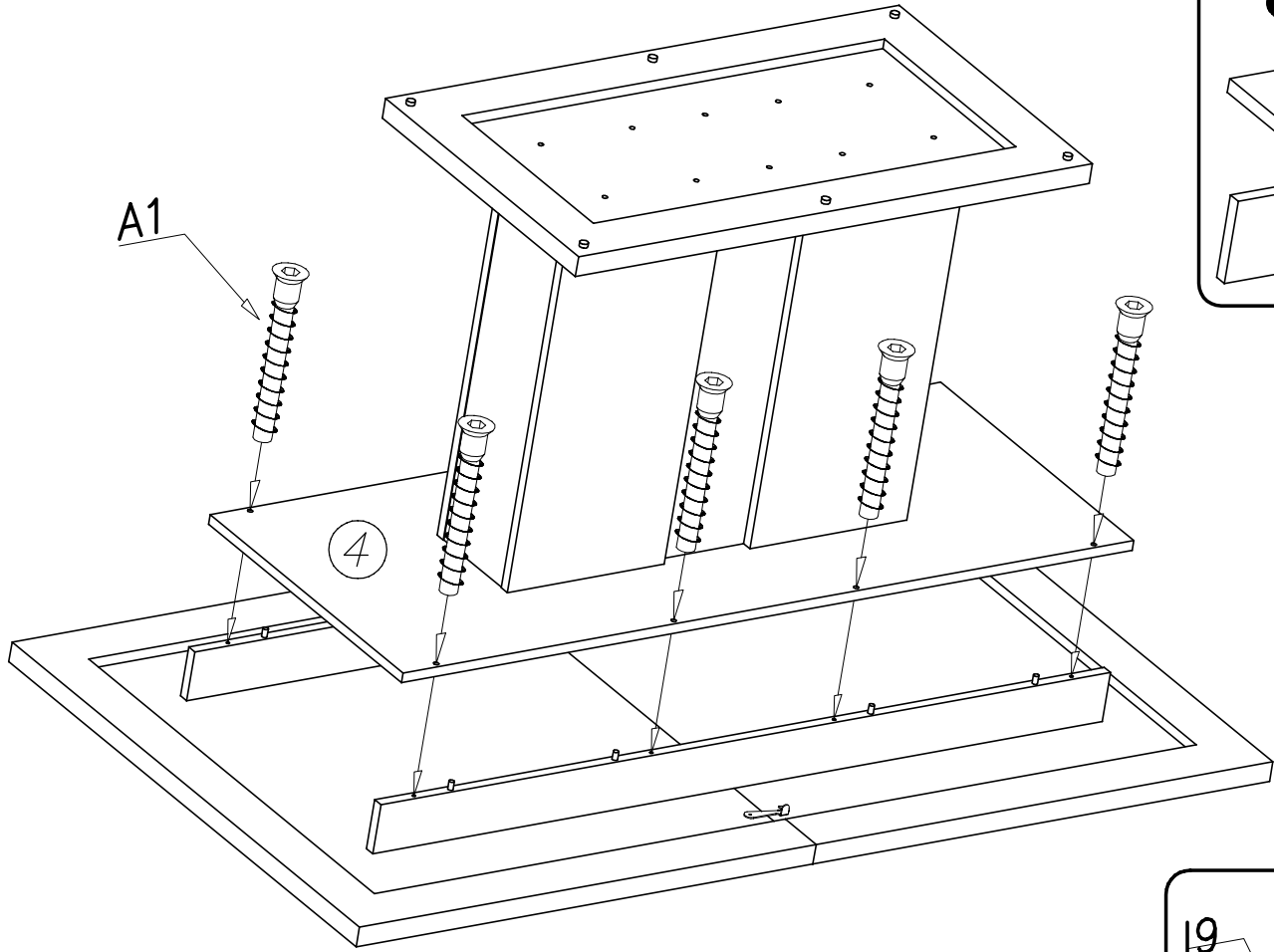
9

G20 
5x13 16x

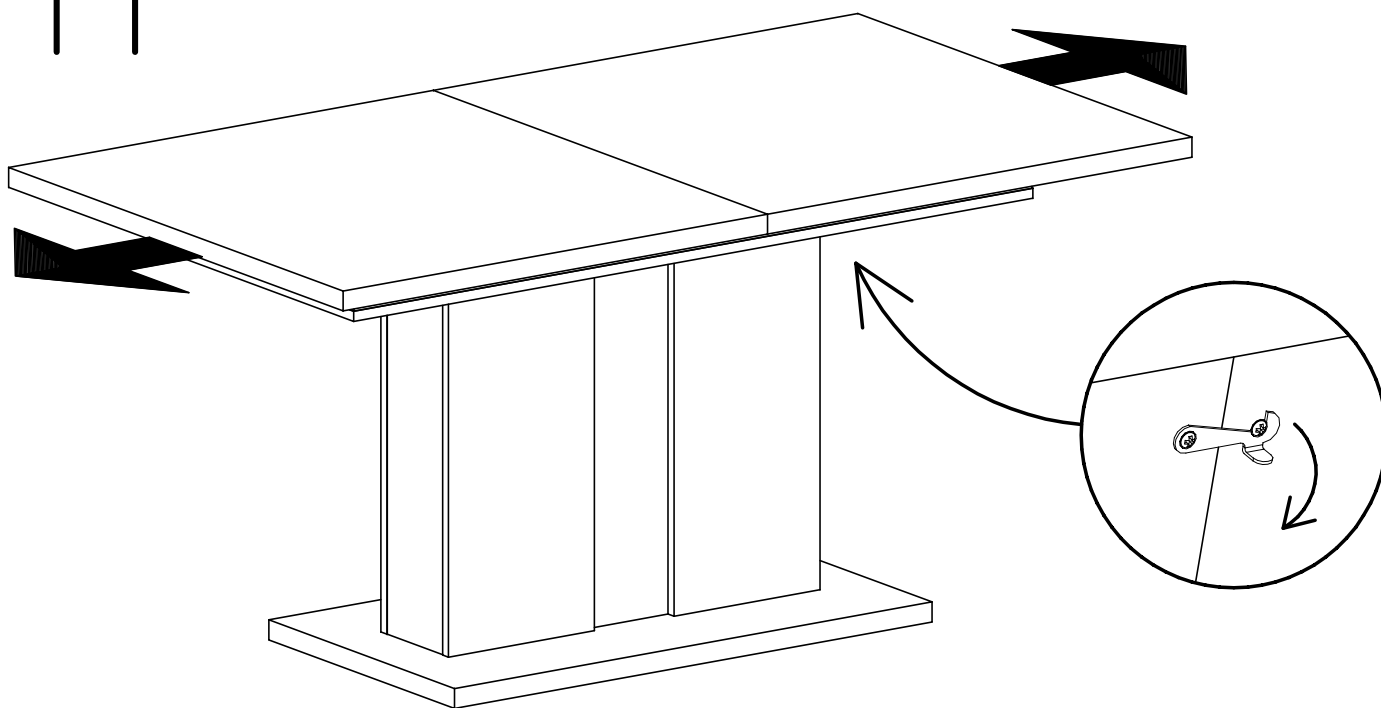


10

I9  $\varnothing 13$ 8x
A1  $\varnothing 7 \times 50$ 8x
W2  1x



11



12

